

E40TURBOVW

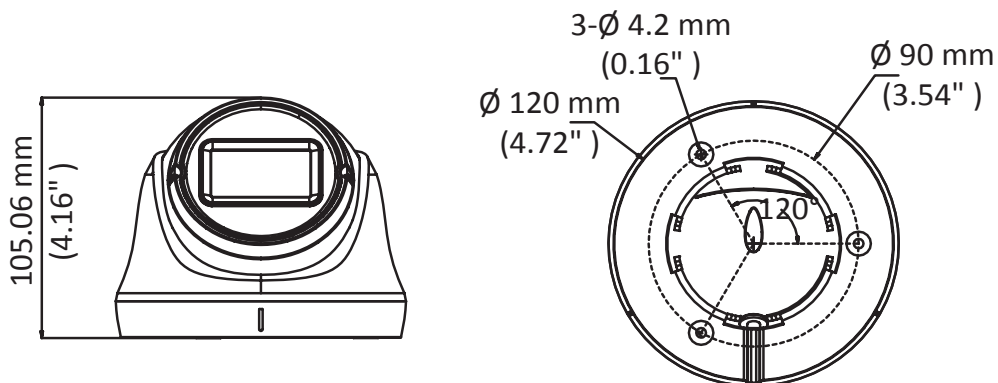
4 MP EXIR VF Turret Camera

Key Features

- 4 MP high-performance CMOS
- 2560 × 1440 resolution
- 2.8 mm to 12 mm vari-focal lens
- Day/Night switch
- EXIR 2.0, smart IR, up to 40 m IR distance
- 4 in 1 video output (switchable TVI/AHD/CVI/CVBS)
- IP66



Dimension



Specifications

Camera	
Image Sensor	4 MP CMOS image sensor
Signal System	PAL/NTSC
Resolution	2560 (H) ×1440 (V)
Min. Illumination	0.01 Lux@(F1.2, AGC ON), 0 Lux with IR
Shutter Time	1/25 (1/30) s to 1/50,000 s
Lens	2.8 mm
Horizontal Field of View	108.4°to 32.6°
Lens Mount	Φ14
Day & Night	IR cut filter
Angle Adjustment	Pan: 0° to 360°, Tilt: 0° to 75°, Rotation: 0°to 360°
Synchronization	Internal synchronization
Video Frame Rate	PAL: 4 MP@12.5fps, 4 MP@25fps, 1080p@25fps NTSC: 4 MP@15fps, 4 MP@30fps, 1080p@30fps
Menu	
AGC	High/Medium/Low/Off
D/N Mode	Auto/Color/BW (Black and White)
BLC	Support
DWDR	Support
Language	English
Functions	Brightness, Sharpness, DNR, Mirror, Smart IR
Interface	
Video Output	1 HD analog output
Switch Button	TVI/AHD/CVI/CVBS
General	
Operating Conditions	-40 °C to 60 °C (-40 °F to 140 °F), Humidity: 90% or less (non-condensation)
Power Supply	12 VDC ±15%
Power Consumption	Max. 5.2 W
Protection	Level IP66
Material Enclosure:	Plastic
Main Body:	Metal
IR Range	Up to 40 m
Dimensions	Ø 120 mm × 105.06 mm (Ø 4.72" × 4.16")
Weight	Dimensions