

# E8TURBO

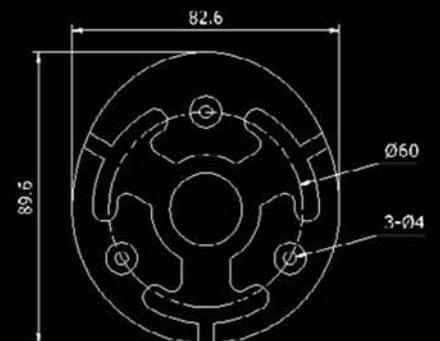
## FullHD Eyeball Camera

### ► Camera

Image Sensor	1/3" Progressive Scan CMOS
Effective Pixels	1920(H) * 1080(V)
Min. Illumination	0.01Lux @ (F1.2, AGC ON), 0 Lux with IR
Shutter Time	1/25 (1/30)s to 1/50,000s
Lens	2.8 mm (3.6 mm optional) Angle of view: 76.88° (3.6mm), 99.73° (2.8mm), 50.1° (6mm)
Lens Mount	M12
Angle of Adjustment	Pan: 0 - 360°, Tilt: 0 - 90°, Rotation: 0 - 360°
Day & Night	ICR
Synchronization	Internal synchronization
Video Frame Rate	25fps (PAL) / 30fps (NTSC)
HD Video Output	1 Analog HD output
S/N Ratio	More than 52dB

### ► General

Working Temperature / Humidity	-40 - 60 °C (-40 - 140 °F)
Power Supply	12 Vdc
Power Consumption	Max. 3.5 W
Weather Proof Ratings	IP66
IR Range	Up to 20m
Dimensions	φ89x59.1mm φ(3.53" x 2.33")
Weight	400 g (0.88 lb)



Unit: mm

**epcom**<sup>®</sup>

**TURBOHD**  
series