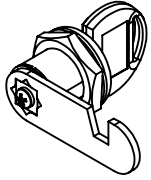


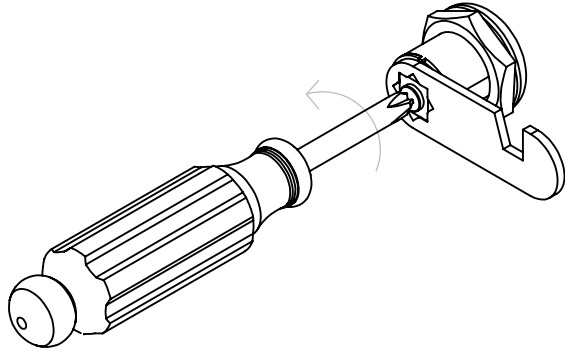
# LOCK ORIENTATION MANUAL

## INSTRUCTIONS:

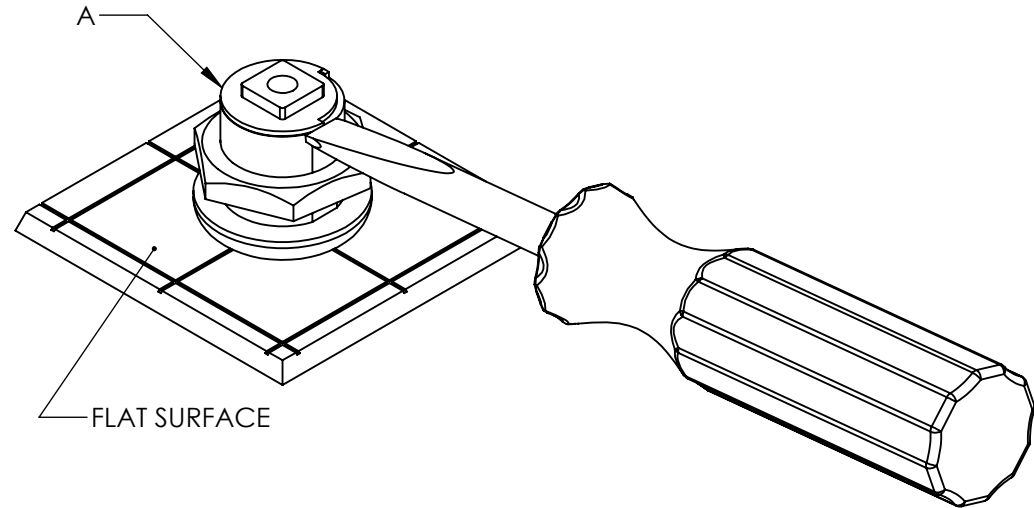


Only perform the following procedure if the key cannot be removed in the closed position.

1. Remove the screw with a cross screwdriver. (Perform this procedure without the key)



2. Using a flat screwdriver, remove the padlock (A) resting the sheet on a flat surface, preventing the internal components from coming out, proceed as indicated in the image below.



3. Keeping the sheet on the flat surface, rotate the padlock as shown in Fig. 2, so that the notch is inverted (See Fig. 1 and Fig. 2 to see before and after).

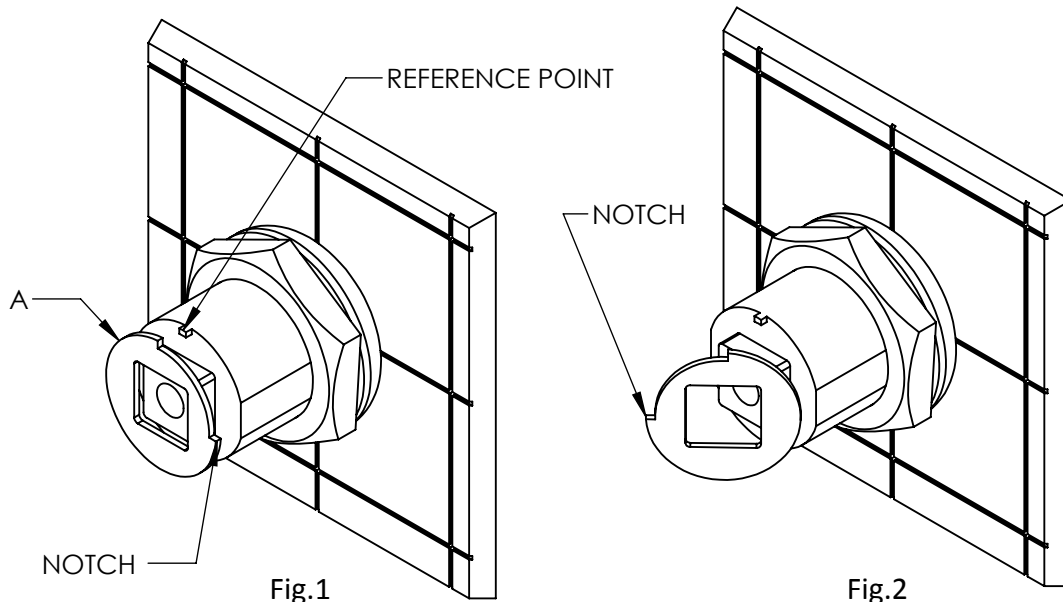


Fig.1

Fig.2

BEFORE

AFTER

4. With the padlock turned (B) and the screw, making use of the screwdriver, screw as indicated in the image.

