

PRODUCT SPECIFICATION SHEET



General Characteristics

Brand : LinkedPro
Code : SR1909GAPV2
Description : Wall Mountable Cabinet,
Folding Body with Rack 19 "of 9 Units

Physical Characteristics

Material : Rolled steel sheet
AWG : 18, 22
Color : Black
Application : Interior

Electrical Characteristics

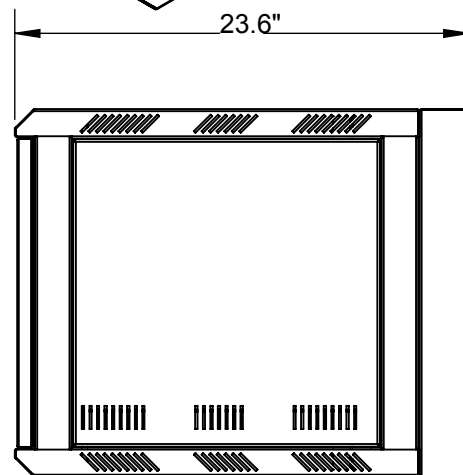
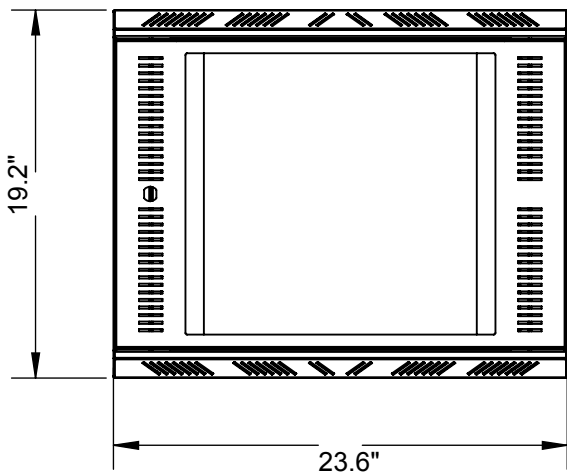
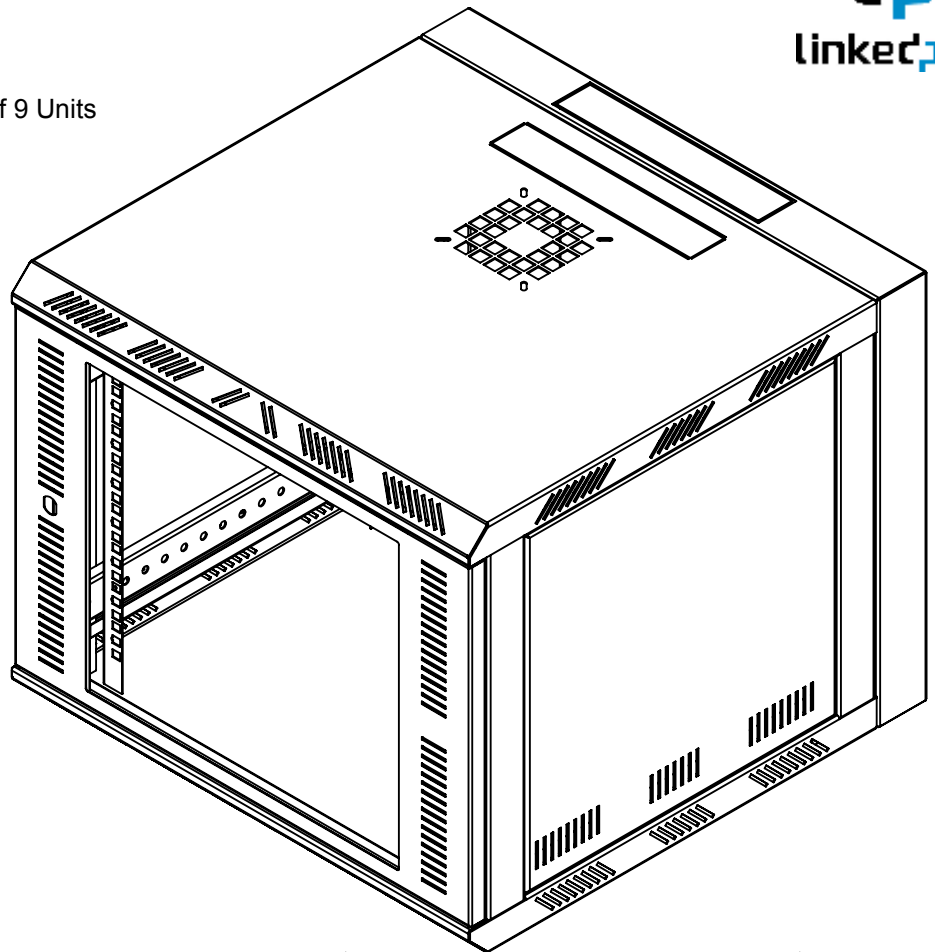
Output voltage : NA
Input voltage : NA
Consumption : NA

Dimensional Characteristics

Width : 24.3" (618 mm)
Height : 19.17" (487 mm)
Depth : 23.6" (600 mm)
Weight : 46.3 lb (21 Kg)
Length : NA

Special Characteristics:

Electrostatic powder paint



epcom

+1(915)533-5119 | engineering@epcom.net
1630 E Paisano Dr, El Paso, Texas, United States of America