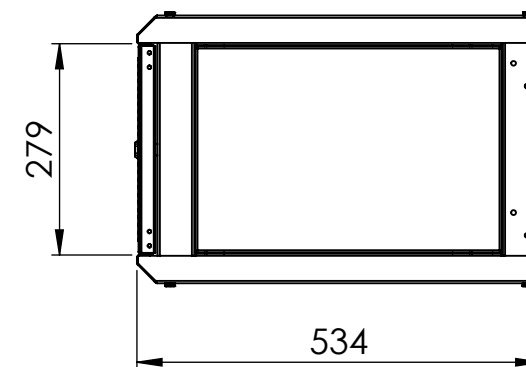
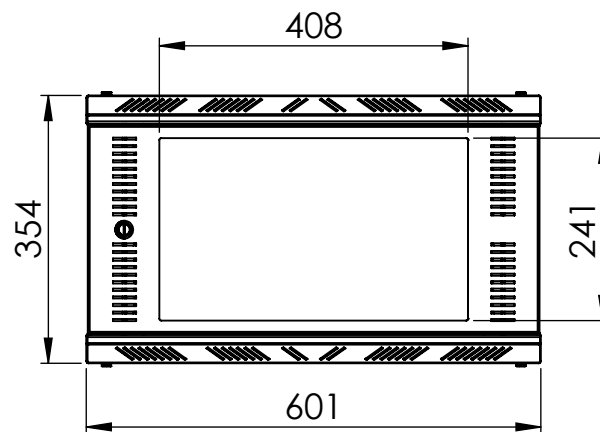
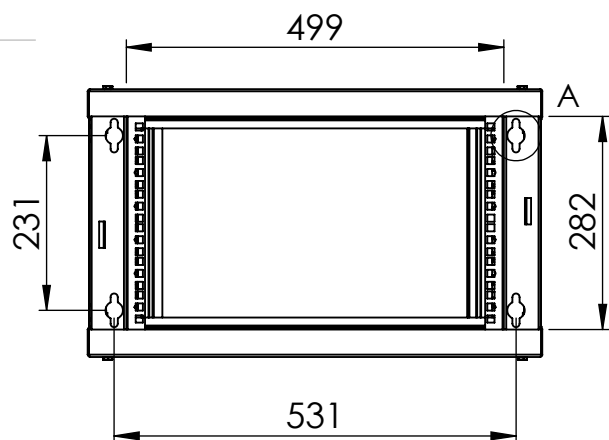
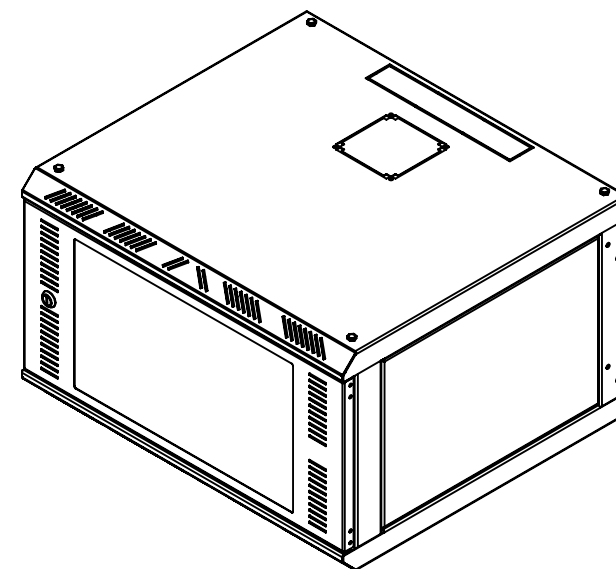
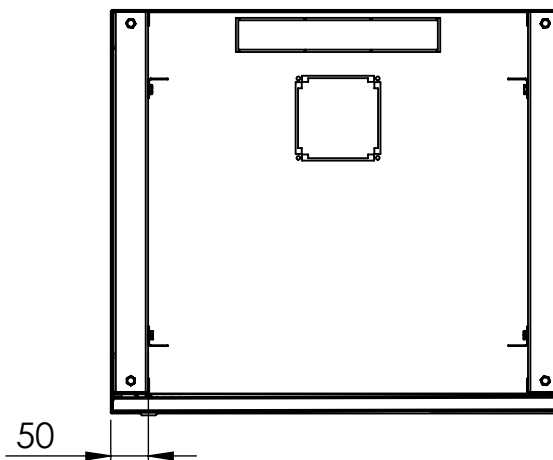
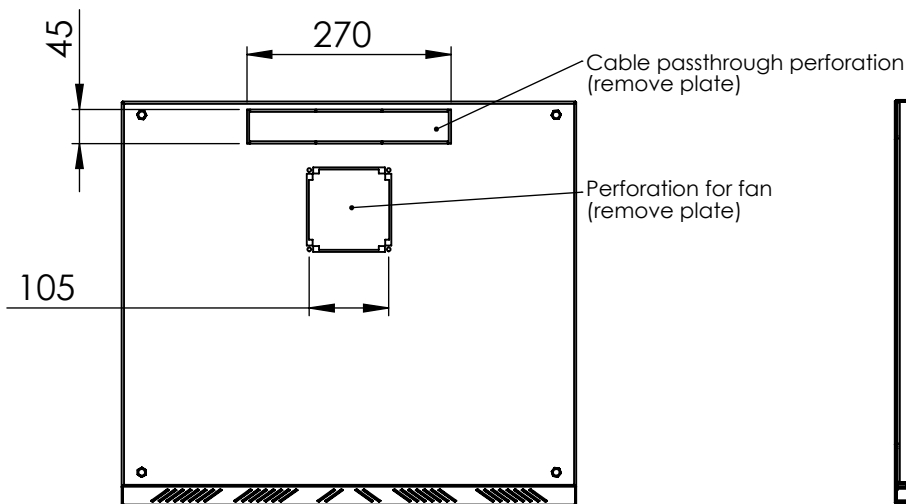
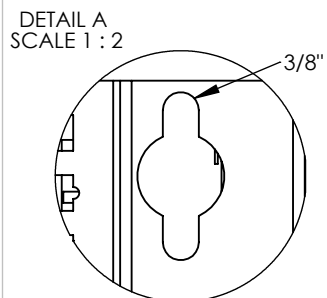


Rev.	Description	Date
3.1.0	Change in top and side cover	16/05/18



Removable sides and door



1. Material: Tempered glass and 18 AWG steel sheet for structure and covers, size 22 for sides and door.
2. Complies with EIA 310-D standard.
3. Load by UR: 12.12 lb (5.5 kg) - Total Maximum Load: 145.50 lb (66 kg)
4. Finish: Embossed black electrostatic paint.
5. Shipped disassembled with screws in cardboard box.
6. Use the manual for the assembly.
7. You can use 4.72" (120 mm) fans or the LPVENT01 accessory (not included).
8. For any questions, contact your SYSCOM representative.

linkedpro LinkedPro
www.syscom.mx

Plane number: DOC 7.5.1 003/227 MTM

Drawn by: S. Quintana Revised by: J. Rosales

The information contained here is the property of EPCOM and is shown under the express conditions that it will not be reproduced in whole or in part or used for purposes that are to the detriment of EPCOM, its customers and suppliers.

If not otherwise indicated, the dimensions are expressed in mm.

Description
19" 6U Wall Mount, Single Section, Tempered Glass Front Door

Code: **SR1906GFP** **A4**