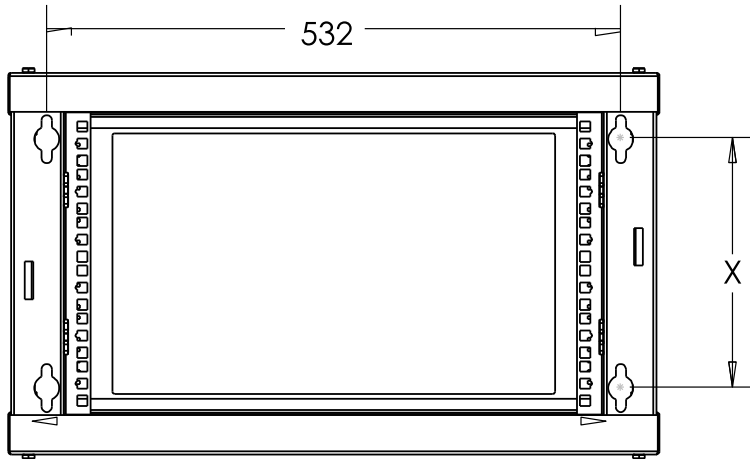
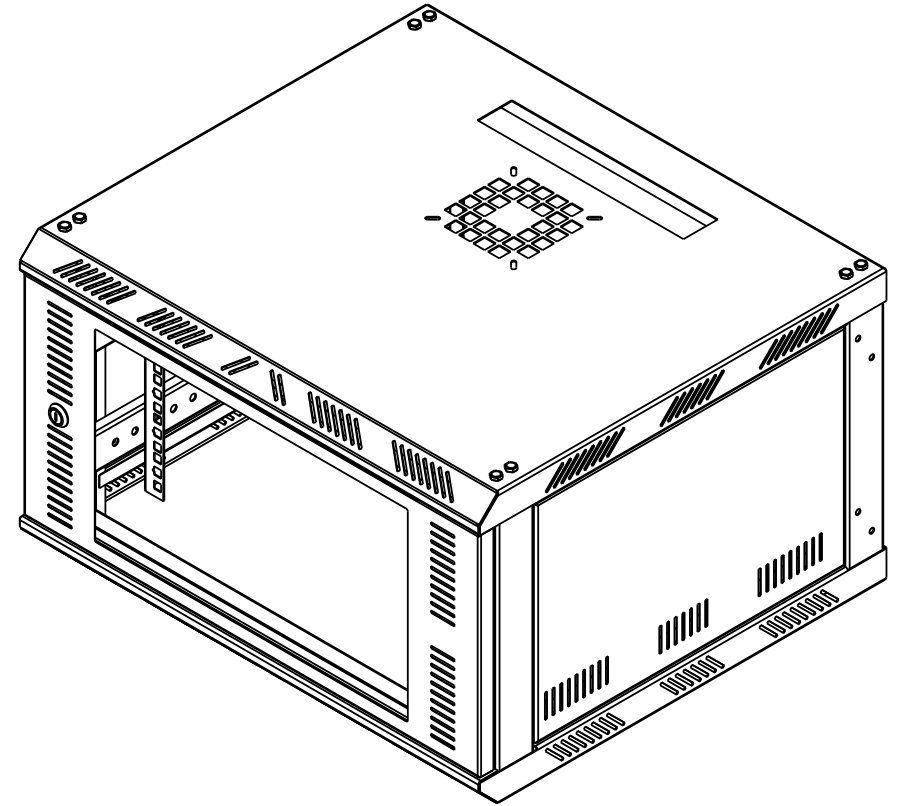


Rear View



SR1906/09/12/16/24GFP

Wall Rack
User's Guide



Model

X = Vertical Distance
from Center to Center

SR1906GFP

9.1" (231mm)

SR1909GFP

14.4" (365mm)

SR1912GFP

19.6" (498mm)

SR1916GFP

26.5" (674mm)

SR1924GFP

39.4" (1000mm)



Read this user manual before using the equipment
and keep it for future reference.

SR19XXGFP The information contained in this manual will help you in assembling the product as well as finding physical characteristics, included parts and recommendations for use.

Recommendations

In thin walls, adobe or other material that is not concrete, it is recommended to pass the anchor of the cabinet to the other side of the wall and secure on both sides. Use a suitable anchor according to the material of the wall.

Tools Required

- Wrench and / or 7/16" Phillips die.
- Cross screwdriver.

Assembly Required

Follow the steps described here. Do not fully tighten the screws until indicated.

- Place the lower cover on a flat surface.
 - Place the back frame inside the lid and one with the screws.
 - In the same way, install the front box.
 - Install the rails.
 - Place the top cover.
 - Corroborate the squared and finalize the tightening of all the screws.
 - Autumn the racks in the desired position. Each space on the rails equals 1".
 - Use the cross screws to close the sides
 - Turn the metal plate to the closed position, turn the key until you can remove it from the metal sheet. It's only possible to remove the key in this position.
 - Place the plate on the front door as indicated in the picture and secure it with the counter-nut.
 - Remove the hinge pin from the front door and place it in the perforations of the cabinet, depending on the type of turn you want.
 - Place the cabinet on the wall and secure it.
 - Install the equipment inside the cabinet with the tuerrack and torrack kit included.
- If necessary, you can purchase more individual kits separately.
*Screws Included

Accessories Included

- 7/16 screws for assembly
- Phillips screw for side closure
- Plate
- Torrack kit and Tuerrack for installation of the equipment.

Closing the laterals

