

B50TURBOX

5 MP HD EXIR Bullet Camera



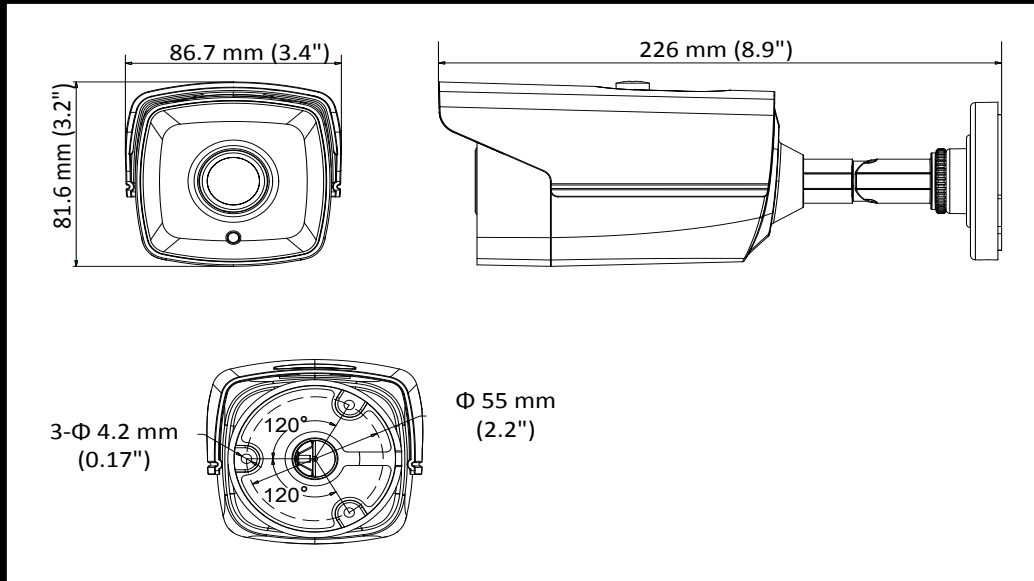
Key Features

- 5 megapixel high-performance CMOS
- HD analog output, up to 5 MP resolution
- 3.6 mm fixed focal lens
- True Day/Night
- OSD menu, DNR, Smart IR
- EXIR technology, up to 40 m IR distance
- IP67
- Up the Coax

Specifications

Camera	
Image Sensor	5 MP CMOS image sensor
Resolution	2592 (H) × 1944 (V)
Min. illumination	Color: 0.01 Lux @ (F1.2, AGC ON), 0 Lux with IR
Shutter Time	NTSC: 1/30 s to 1/50, 000 s
Lens	3.6 mm fixed focal lens
Horizontal Field of View	70.1° (3.6 mm)
Lens Mount	M12
Day & Night	ICR
Angle Adjustment	Pan: 0° to 360°; Tilt: 0° to 90°; Rotate: 0° to 360°
Synchronization	Internal synchronization
Video Frame Rate	2592 × 1944 @ 20fps
HD Video Output	1 HD analog output
Menu	
AGC	Support
D/N Mode	Auto/Color/BW (Black and White)
White Balance	ATW/MWB
BLC	Support
Language	English, Chinese
Functions	Brightness, Sharpness, Digital noise reduction, Mirror, Bad pixel correction, Smart IR
General	
Operating Conditions	-40 °C to 60 °C (-40 °F to 140 °F), humidity: 90% or less (non-condensation)
Power Supply	12 V DC ± 30%
Power Consumption	Max. 5 W
Protection Level	IP67
IR Range	Up to 40 m
Communication	Up the coax, Protocol (TVI output)
Dimensions	86.7 mm × 81.6 mm × 226 mm (3.41" × 3.23" × 8.67")
Weight	Approx. 680 g (1.5 lb.)

Dimensions



Accessories



XM-32B
Junction Box